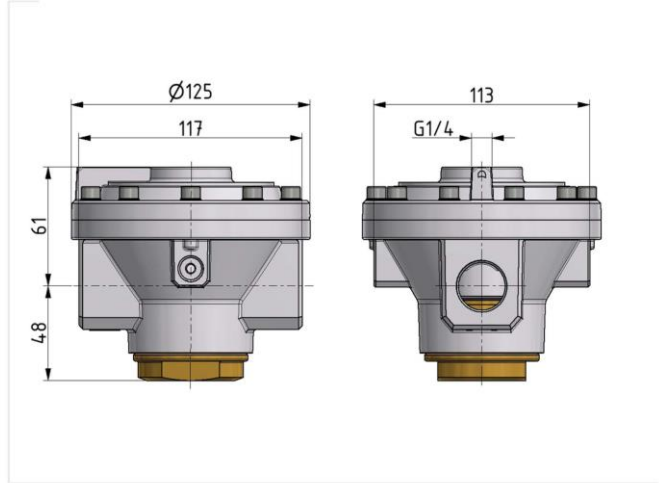


Pressure-regulator of the Standard series

Pressure regulator G1 pneumatic pilot operated (G1/4), new edition

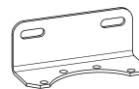


series	port size	flow rate	adjustment range P2 max.	weight
Standard	G 1	15000 l/min	20 bar	2.109 kg

technical data

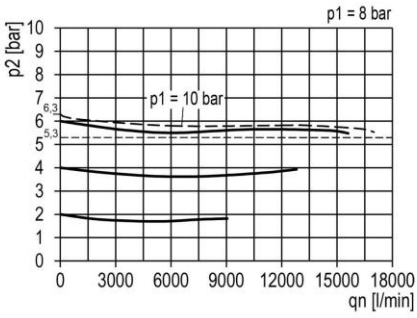
- **description:** air line regulator with diaphragm and relieving feature, pneumatic pilot-operated (1:1)
- **medium:** compressed air, neutral gases
- **supply pressure P1 max.:** 40 bar
- **medium and ambient temperature:** -10 to 60 °C

accessories

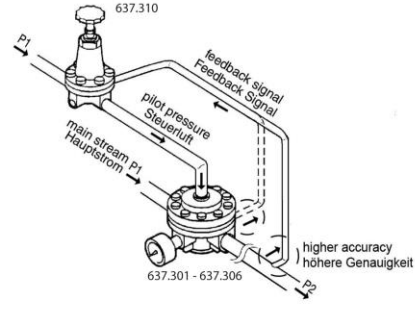


- mounting bracket:
Art. No. 100845 - Type No. H 86

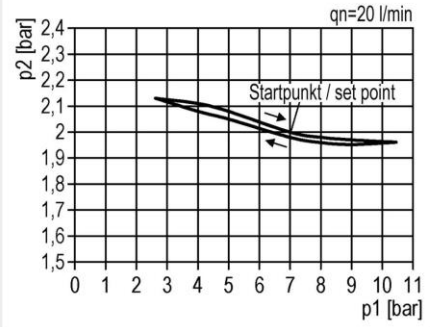
flow characteristic



operating conditions



pressure characteristic



symbol

